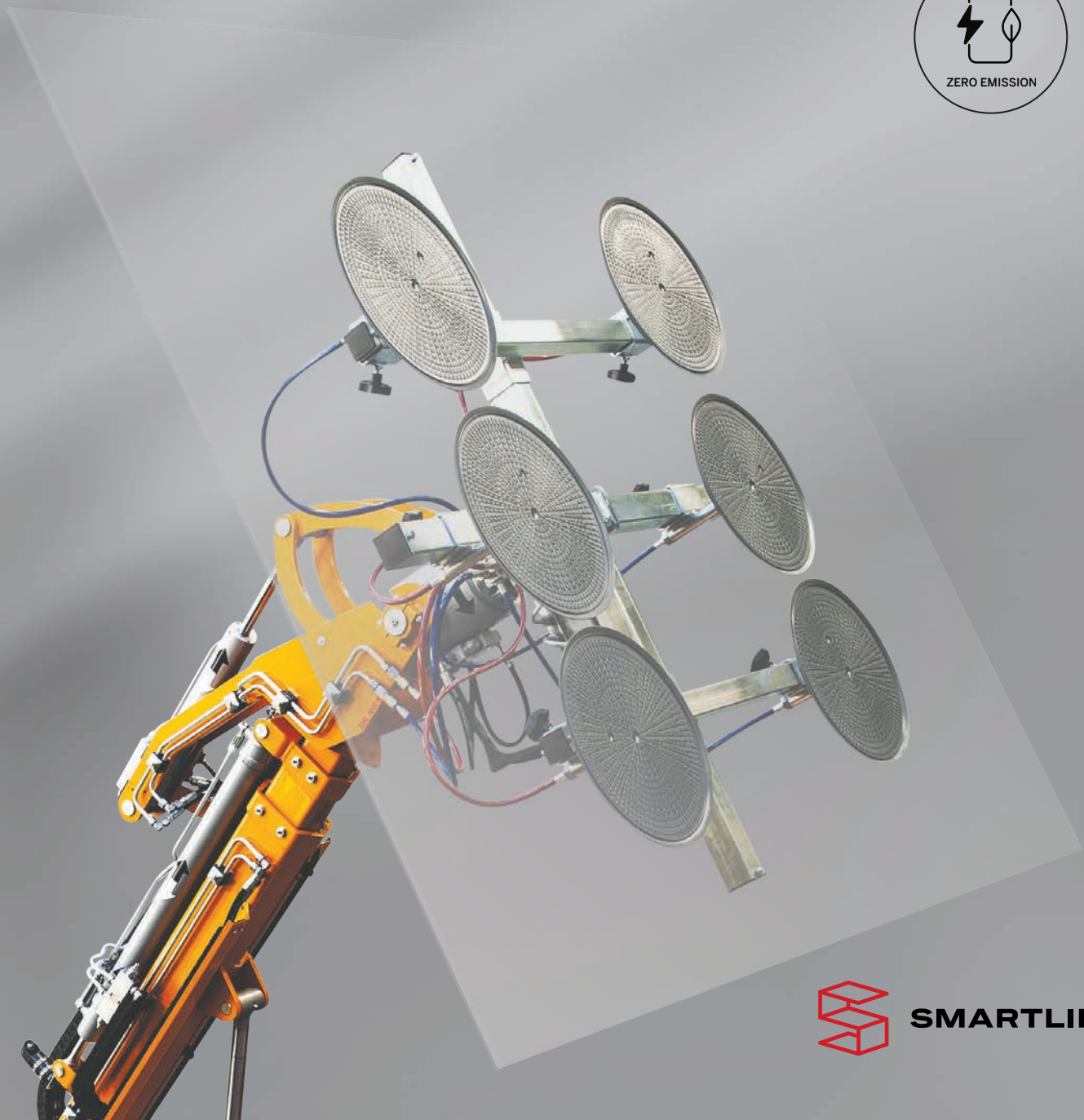


PRODUCTS

INTELLIGENT VACUUM

# LIFTING SOLUTION



**SMARTLIFT®**

# THE SAFE CHOICE

## WORK SMARTER

Having a Smartlift on your team will make you **work faster and safer**. Minimize the risk of injuries from heavy lifting and work up to twice as fast during installation.

In high-rise projects, you will experience **considerable savings** compared to using a large crane outside the building. Simply install from the inside and optimize logistics by placing the glass on each floor during initial construction.

## PREFERRED BY PROFESSIONALS

Every component in a Smartlift is carefully selected to ensure maximum **precision, reliability and usability**. This allows for stepless and safe operation of any Smartlift model.

Buying a Smartlift gives you freedom to choose from a variety of factory-installed options. Customize your lift and then add accessories for even greater utilization.

We are experts in vacuum robot technology and we know the value of swift and precise **after-sales support and service**. When you own a Smartlift, we do our best to keep you working without interruption.

**Smartlift is designed and produced in Denmark.**

## WORK SAFER

The Smartlift vision is to eliminate accidents with safe and efficient lifting in a smart way.

That's why Smartlift is considered **the safe choice** among professionals all over the world.

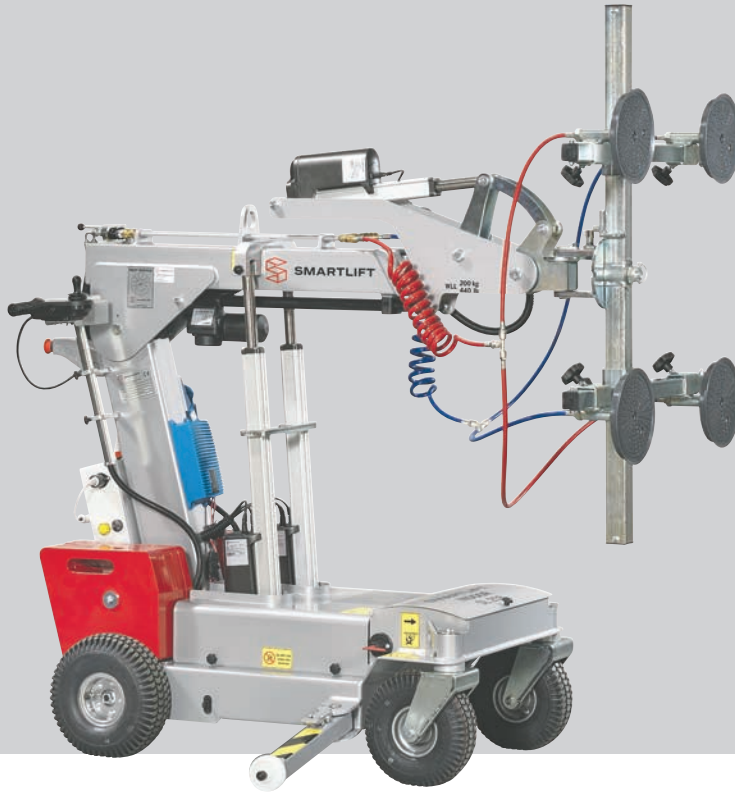
## NO EMISSION

Smartlift vacuum lifters are battery operated and have zero emissions.



ZERO EMISSION





#### HIGHLIGHT

##### Joystick control:

This lift can turn around its own axis using the joystick.



INDOOR

## SL 208 INDOOR

LIFTS UP TO 440 LBS

The SL 208 Indoor is our most compact and manoeuvrable lift. Easy to control using a joystick and supported by two powerful 1,200W electric motors making the lift capable of rotating on its own axis.

This glass robot is ideal for indoor installation where space might be limited or in industrial production facilities.



TURNING RADIUS

**34 IN**



LIFTING HEIGHT

**104 IN**



Compact in size and tight turning radius

### TECHNICAL SPECIFICATIONS

Lifting cap. arm in/out	440/330 lbs
Lifting height	104 in
Extension of arm	20 in
Tilt	54° back / 100° fwd
Side shift	-
Charging voltage	230 V / 110V
Charging time	Approx. 8 hrs
Battery (2 x 12V)	2 x 70 Ah
Running period	Up to 10 hrs
Rear-wheel drive	2 x 1,200 W DC
Brake	Electro-magnetic
Suction pads	4 x Ø8 in
L x W x H	66 x 28 x 50 in
Curb weight	1,060 lbs



## HIGHLIGHT

**Steering handle:**

Most Smartlifts are equipped with an intuitive and ergonomic drive handle.



## SL 280 INDOOR

LIFTS UP TO 620 LBS

The SL 280 Indoor is a compact glazing robot with more lifting capacity. The unique feature of this lift is the slim frame width of only 25 in. This is probably the slimmest indoor glazing robot in the market today and it does not compromise on precision and ease of operation.

The rear wheel drive makes it very maneuverable with a tight turning radius. The puncture proof tires provide a secure grip on most surfaces.



SIDE SHIFT  
**4 IN**



LIFTING HEIGHT  
**108 IN**



More lifting power in a compact design

### TECHNICAL SPECIFICATIONS

Lifting cap. arm in/out	620/350 lbs
Lifting height	108 in
Extension of arm	20 in
Tilt	49° back / 104° fwd
Side shift	4 in
Charging voltage	230 V / 110V
Charging time	Approx. 8 hrs
Battery (2 x 12V)	2 x 62 Ah
Running period	Up to 10 hrs
Rear-wheel drive	700 W DC
Brake	Electro-magnetic
Suction pads	4 x Ø12 in
L x W x H	66 x 28 x 50 in
Curb weight	1,080 lbs



#### HIGHLIGHT

##### Remote control:

All electric Smartlifts have a wired remote control for adjusting the arm and yoke.



**INDOOR**

## SL 380 INDOOR

LIFTS UP TO 840 LBS

The SL 380 Indoor is a powerful mid-range vacuum lifter for indoor use and it has sideways shifting up to 4 inches for higher flexibility during installation.

The rear-wheel drive makes the lift very manoeuvrable in narrow corridors and small spaces. Puncture proof tires provide a secure grip on most surfaces.



SIDE SHIFT  
**4 IN**



LIFTING HEIGHT  
**104 IN**



The SL 380 Indoor combines lifting power and flexible use indoors

### TECHNICAL SPECIFICATIONS

Lifting cap. arm in/out	840/460 lbs
Lifting height	104 in
Extension of arm	20 in.
Tilt	49° back / 105° fwd.
Side shift	4 in
Charging voltage	230 V / 110V
Charging time	Approx. 8 hrs
Battery (2 x 12V)	2 x 62 Ah
Running period	Up to 10 hrs
Rear-wheel drive	700 W DC
Brake	Electro-magnetic
Suction pads	4 x Ø12 in
L x W x H	89 x 27 x 52 in
Curb weight	1,170 lbs



## HIGHLIGHT

**Safety first:**  
Any Smartlift has several safety features built in to prevent overload and accidents.



## SL 580 INDOOR

LIFTS UP TO 1,280 LBS

Do not underestimate this heavy-duty vacuum lifter. The SL 580 Indoor is excellent for handling the heaviest windowpanes, fire doors and sheets of glass without compromising on precision and ease of use.

A slim body width and the rear-wheel drive make it very maneuverable inside buildings or on the factory floor. The puncture proof tires provide a secure grip on most surfaces.

↔ SIDE SHIFT  
**4 IN**

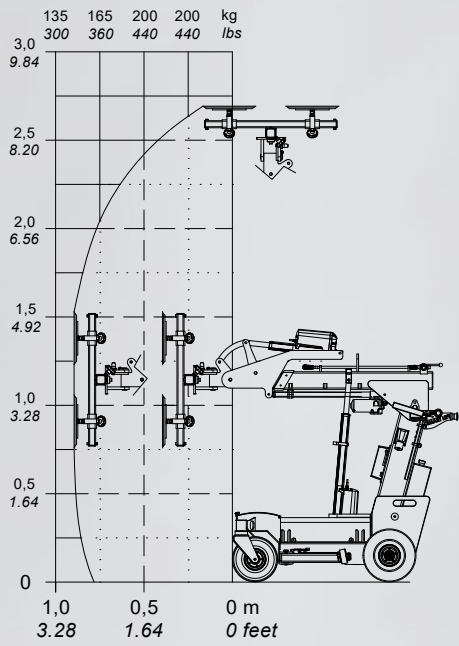
↑ LIFTING HEIGHT  
**94 IN**

i Our most powerful lift for indoor use

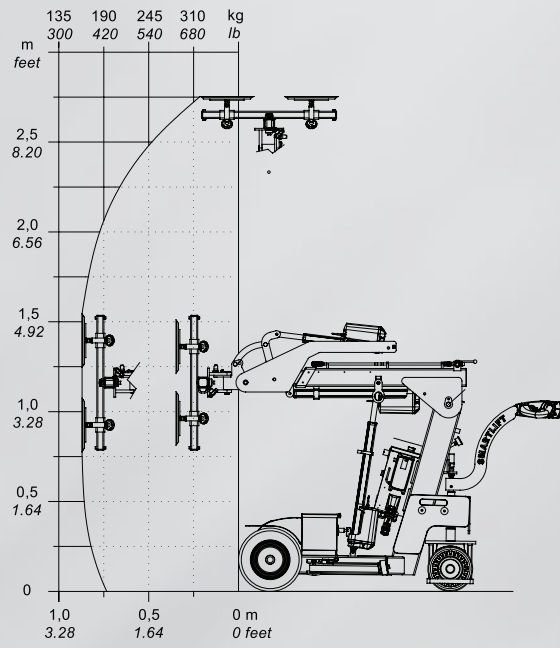
### TECHNICAL SPECIFICATIONS

Lifting cap. arm in/out	1,280/620 lbs.
Lifting height	94 in
Extension of arm	20 in
Tilt	43° back / 105° fwd.
Side shift	4 in
Charging voltage	230 V / 110 V
Charging time	Approx. 8 hrs
Running time	Up to 10 hours
Rear wheel drive	1000 W DC
Brake	Electro-magnetic
Suction pads	4 x Ø16 in
L x W x H	94 x 31 x 55 in
Curb weight	1,520 lbs

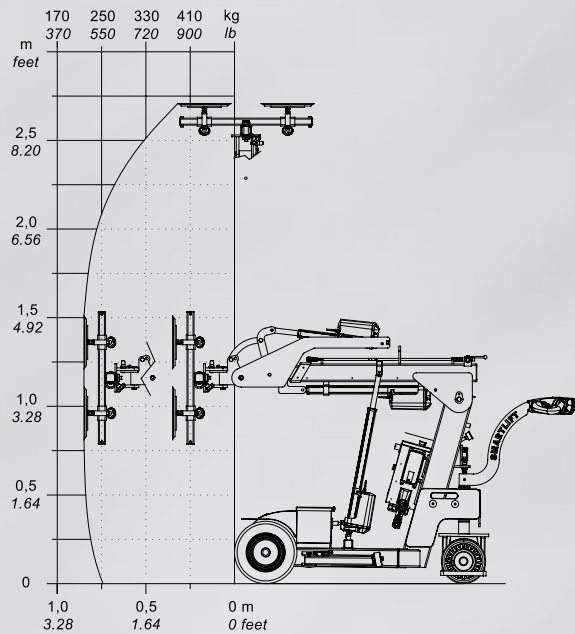
## SL 208 INDOOR



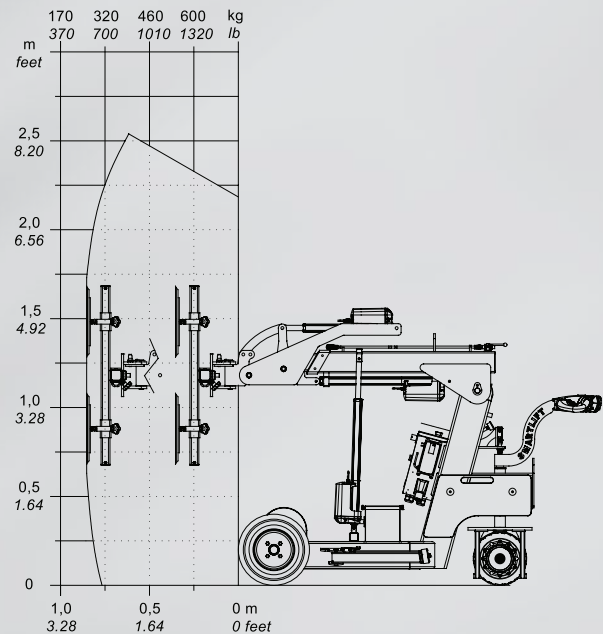
## SL 280 INDOOR



## SL 380 INDOOR



## SL 580 INDOOR



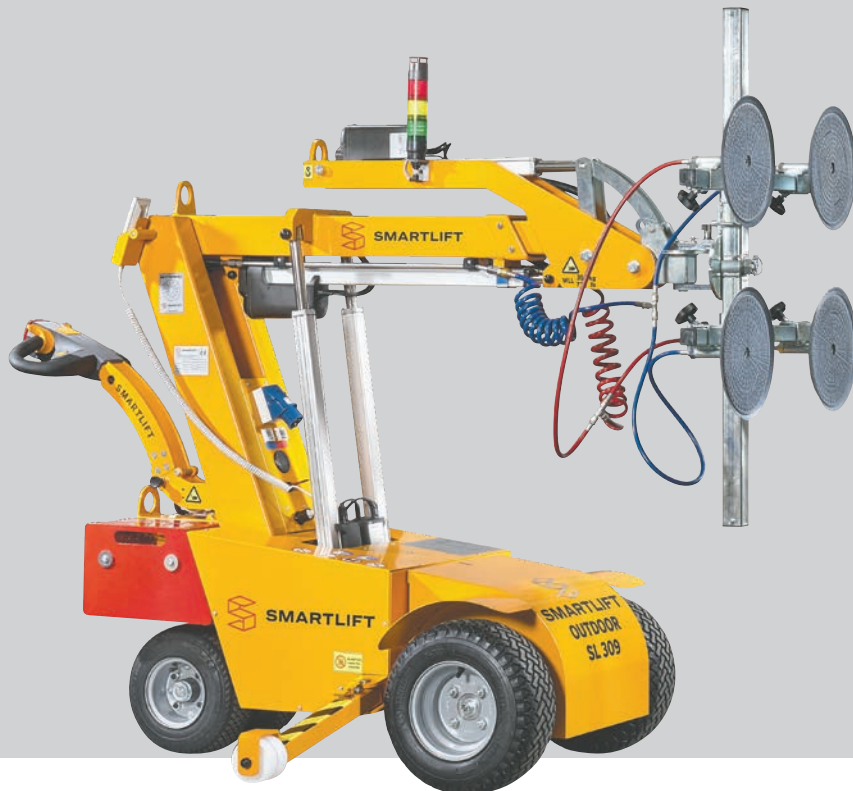
## SL 309 OUTDOOR



## SL 1009 OUTDOOR







HIGHLIGHT

- 1. Foldable handle:**  
It is easy to fold the steering handle during transport.
- 2. Max. compaction:**  
Remove the vacuum yoke and retract the arm.



## SL 309 OUTDOOR

LIFTS UP TO 770 LBS

The Smartlift SL 309 Outdoor glazing robot is the latest addition to the Smartlift product line, featuring a powerful combination of size versus capacity.

This impressive machine can lift up to 770 lbs, with a lifting height of up to 121 in, making it perfect for outdoor glazing projects of various sizes. What's more, the SL 309 can be compacted to only 57 in length and 56 in height, allowing it to easily fit into a standard construction hoist for effortless transport.

The SL 309's small turning radius of only 35 in makes it easy to maneuver in tight spaces, making it an ideal choice for any outdoor and indoor glazing project.



LIFTING HEIGHT  
**UP TO 121 IN**



TURNING RADIUS  
**ONLY 35 IN**



Easily navigates tight spaces and fits into small construction hoists. An impressive combi of size and capacity.

### TECHNICAL SPECIFICATIONS

Lifting capacity arm in/out	770 / 370 lbs
Lifting height	121 in
Extension of arm	24 in
Tip from horizontal	35° back / 135° fwd
Side shift	4 in
Charging voltage	230 V / 110 V
Charging time	Approx. 10 hrs
Running period	Up to 10 hrs
Front wheel drive	1500 W DC
Suction pads	4 x Ø12 in
L x W x H	67 x 32 x 56 in
Curb weight	1,370 lbs

# SL 408 / 409 OUTDOOR





HIGHLIGHT

**Electric rotating yoke:**  
Stepless 3D movement of the arm and yoke.



## SL 409 OUTDOOR

LIFTS UP TO 950 LBS

The SL 409 is efficient and hard working. It saves you the cost of extra hands for mounting of elements like glass, windows, granite, marble. The compact and ruggedized design gets the job done. You get:

- Remote controlled vacuum system
- Speedy tilting
- Save position for repeated mounting
- X/Y movement; the straight movement is easy to control and prevents damages from accidentally bumping into something
- Theft protection, geofencing and remote diagnostics with the built-in Trackunit IoT device
- Enhanced safety features



EXTENSION OF ARM  
**UP TO 48 IN**



LIFTING HEIGHT  
**UP TO 144 IN**

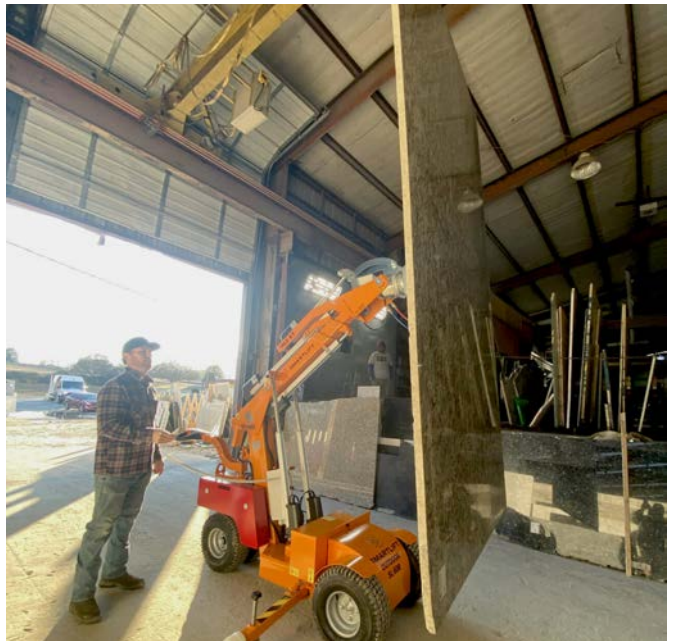


Choose the High Lifter versions for additional reach and lifting height

### TECHNICAL SPECIFICATIONS

Model	SL 409 Outdoor HLE	SL 409 Outdoor HLE RT
Lifting cap. arm in/out	950 / 220 lbs	950 / 220 lbs
Lifting height	144 in	144 in
Extension of arm	24+24 in	24+24 in
Tip from horizontal	53° back/131° fwd	35° back/106° fwd
Side shift	4 in	4 in
Charging voltage	230 V / 110 V	230 V / 110 V
Charging time	Approx. 10 hrs	Approx. 10 hrs
Running period	Up to 10 hrs	Up to 10 hrs
Front-wheel drive	1500 W AC	1500 W AC
Suction pads	4 x Ø12 in	4 x Ø12 in
L x W x H	102 x 32 x 56 in	102 x 32 x 56 in
Curb weight	1,590 lbs	1,610 lbs

# SL 608 / 609 OUTDOOR





HIGHLIGHT

- 1. Cordless remote:** With extra functions for simple and precise mounting.
- 2. Electric rotating yoke:** Stepless 3D movement of the arm and yoke.



## SL 609 OUTDOOR

LIFTS UP TO 1,325 LBS

The SL 609 Outdoor features a long range of new and improved functionalities; designed for maximum efficiency, user-friendliness and workplace security:

- A straight up-down movement; not in a curve, but a precise and straight movement saving time and ensuring quick mounting
- Remote controlled vacuum system
- Faster operation with increased speed for lifting and tilting
- Save and reload position for repeated mounting
- Built in IoT device for theft protection, tracking & fleet management; the Trackunit data insights support better and faster technical assistance from Smartlift via remote diagnostics



EXTENSION OF ARM  
**UP TO 62 IN**



LIFTING HEIGHT  
**UP TO 127 IN**



Customize the lift to fit your exact needs by selecting from the options list below

### TECHNICAL SPECIFICATIONS



Model	SL 609 Outdoor HLE	SL 609 Outdoor HLE RT
Lifting cap. arm in/out	1,320 / 370 lbs	1,320 / 330 lbs
Lifting height	163 in	167 in
Extension of arm	27+35 in	27+35 in
Tip from horizontal	36° back / 114° fwd	32° back / 83° fwd
Side shift	4 in	100 mm / 4 in
Charging voltage	230 V / 110 V	230 V / 110 V
Charging time	Approx. 10 hrs	Approx. 10 hrs
Running period	Up to 10 hrs	Up to 10 hrs
Front-wheel drive	1500 W AC	1500 W AC
Suction pads	4 x Ø16 in	4 x Ø16 in
L x W x H	110 x 33 x 61 in	114 x 33 x 61 in
Curb weight	2,070 lbs	2,090 lbs



**HIGHLIGHT**

**1. Rotating yoke:**  
Stepless 3D movement of the yoke and load.

**2. Information display:**  
Monitor battery status, vacuum pressure, and load strain on the wireless remote control.

## SL 1009 OUTDOOR

LIFTS UP TO 2,200 LBS

The SL 1009 Outdoor is our most advanced lift. It combines maximum lifting power and reach. Large window sections are easily and precisely handled using the multifunctional, rotary yoke. SL 1009 has integrated IoT, and you can now locate and track your machine on an app and can follow operational hours, mandatory services checks and many more options. SL 1009 is now controlled by need meaning that the entire system is using less energy.

Some advantages of CANbus and Trackunit:

1. Vacuum release remotely controlled (Improved safety)
2. Improved battery life time +2 hours
3. Remote Diagnostics via Trackunit
4. Extreme precision



EXTENSION OF ARM  
**UP TO 66 IN**



LIFTING HEIGHT  
**UP TO 183 IN**

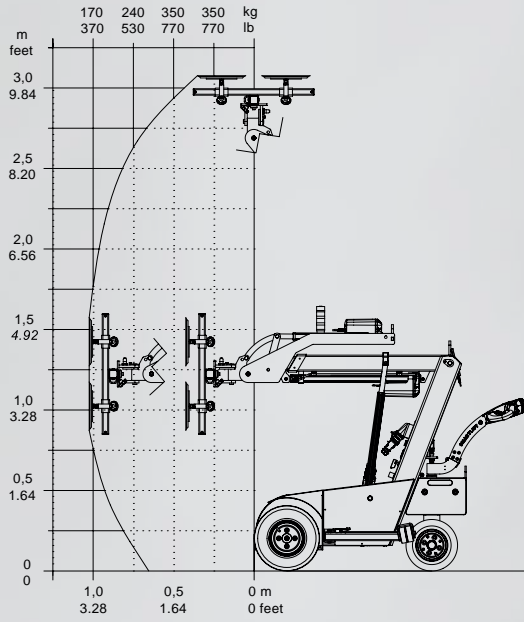


CONTROLLED BY CANBUS-FREE  
TRACKUNIT INCLUDED FOR 3  
YEARS

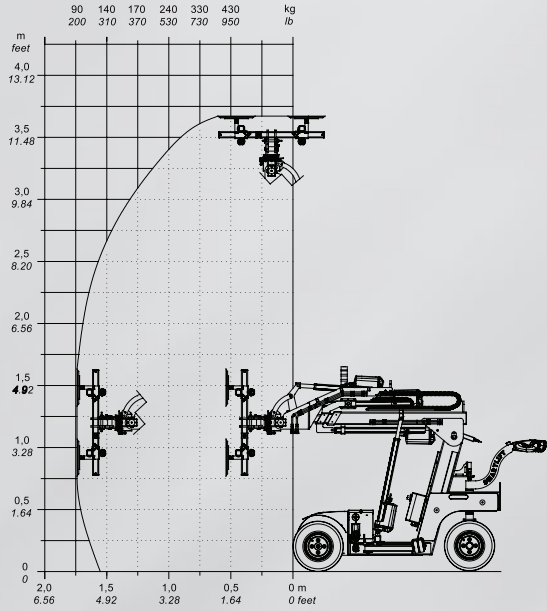
### TECHNICAL SPECIFICATIONS

Lifting cap. arm in/out	2,200 / 620 lbs
Lifting height	183 in
Extension of arm	33 + 33 in
Tilt	44° back / 80° fwd.
Side shift	4 in
Charging voltage	230V / 110V
Charging time	Approx. 8 hrs
Battery	4 x 134 Ah AGM
Running period	Up to 10 hrs
Front-wheel drive	2500 W AC
Suction pads	6 x Ø16 in
L x W x H	131 x 40 x 62 in
Curb weight	3,260 lbs

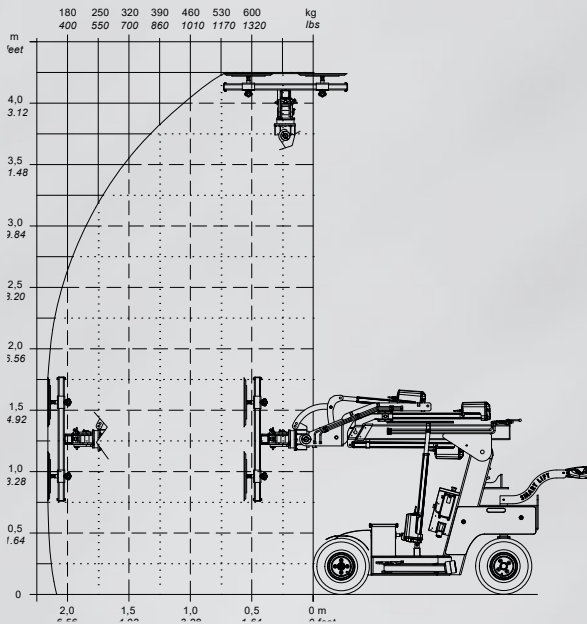
## SL 309 OUTDOOR



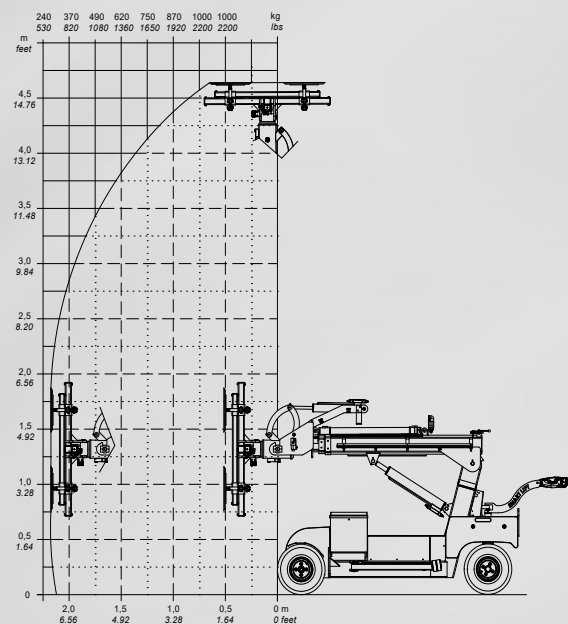
## SL 409 OUTDOOR (HIGH LIFTER ELECTRIC RT)



## SL 609 OUTDOOR (HIGH LIFTER ELECTRIC RT)



## SL 1009 OUTDOOR





## ST 1300 TROLLEY

LIFTS UP TO 2,866 LBS

A rugged and self-propelled transport trolley for plasterboards and other building materials. The Smart Trolley has an electric lifter which extends up to 35 in above ground level. Therefore it can be used as a flexible working bench at the construction site for better ergonomics. The trolley also has two side pockets for being lifted by a forklift between the floors of a building

- Self-propelled forward/reverse
- Quality bearings
- Independent wheels
- Puncture-proof tires
- Indicator for low voltage
- IP65 classified dust and moisture proof

### TECHNICAL SPECIFICATIONS

WWL / rated load	2,866 lbs
Floor dimensions	74 x 28 in / 106 x 28 in
Floor height	23 - 35 in
Total length	112 in
Wheel base	57 in
Ground clearance	5 in
Raise / lower floor	10 sec
Driving speeds	Floor raised = 0.6 mph Floor lowered = 3.1 mph
Battery	2 x 12V 95Ah
Operation time	Approx. 8 hrs
Turning radius	10 ft. 2 in
Charger with indicator	Integrated 110V / 230V
Curb weight	1,000 lbs



LIFTING CAPACITY  
**2,866 LBS**



LIFTING HEIGHT  
**35 IN**



ST 1300 Trolley comes with steering handle making it easy to operate.





## SL 400 SKYLIFTER RT

LIFTS UP TO 880 LBS

The SL 400 Sky Lifter RT is a light and independent electric manipulator which can be mounted on any telescopic loader, crane etc.

Attach the SL 400 Sky Lifter RT on to a telescopic loader using the quick release adaptor. This solution is ideal for buildings where installation is under overhangs or at oblique angles. The Sky Lifter can rotate 350 degrees without stop using the attached turning head. The rotation is a great advantage during the window installation, because it gives great flexibility.

The SL 400 Sky Lifter RT has a wireless radio control unit. Therefore, the operator can position himself close by the window to have a detailed overview of the installation process.

### TECHNICAL SPECIFICATIONS

Lifting cap. arm in/out	880 lbs
Lifting height	Depends on parent
Extension of arm	15 in
Tip from horizontal	Depends on parent
Side shift	8 + 12 in
Charging voltage	230 V / 110V
Charging time	Approx. 4 hrs
Battery	24V, 20Ah Li-Ion
Running period	Up to 8 hrs
Suction pads	4 x Ø12 in
Curb weight	795 lbs



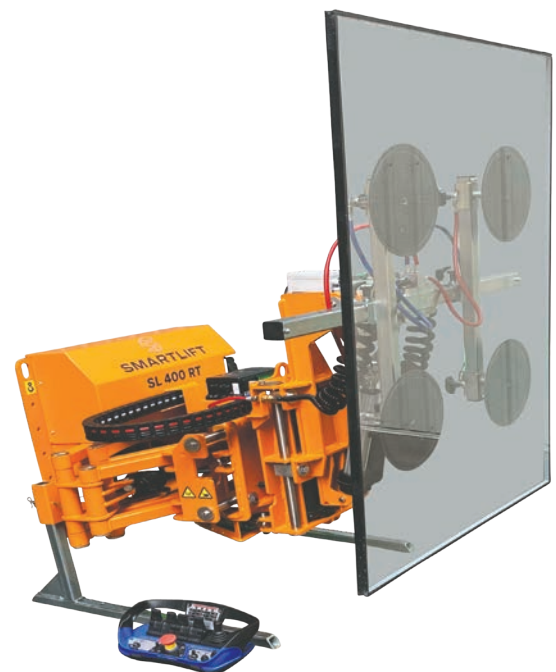
EXTENSION OF ARM  
**UP TO 15 IN**



LIFTING CAPACITY  
**880 LBS**



Can be fitted on a telescopic loader for maximum reach



# OPTIONS

■ Select the options you need

Build your Smartlift from the factory

	SL 208 Indoor	SL 280 Indoor	SL 380 Indoor	SL 580 Indoor	SL 309 Outdoor	SL 409 Outdoor	SL 609 Outdoor	SL 1009 Outdoor
Foam-filled tyres	NA	NA	NA	NA	Standard	Standard	Standard	Standard
Electric key switch	■	■	■	■	NA	■	■	■
White, non-marking tyres	■	■	■	■	■	■	■	NA
Special Color	■	■	■	■	■	■	■	■
Cordless remote	■	■	■	■	■	■	■	Standard
Manual extension of the arm	NA	NA	■	NA	NA	■	■	NA
Electrical extension of the arm	NA	NA	NA	NA	Standard	■	■	Hydraulic
Electrical rotating yoke	NA	NA	NA	NA	NA	■	■	Hydraulic

## SELECTED ACCESSORIES

There is a wide range of accessories available for your Smartlift. For more information, call your local dealer or go to our website.



Transport ramp

Aluminium ramps in various sizes for use indoors or outdoors.



Flexolink

Flexible connectors for curved glass. For suction pad up to Ø12 in - up to 12° curve.



Protection cover

Prolong the lifetime of the suction pads.



Suction pad bracket flex

Adjustable bracket with 8 inadjustment for suction pads.



Lifting hooks

Strong lifting hook with a max. load capacity of up to 880, 1,320 or 1,760 lbs.



Double suction pad bracket flex

Adjustable double bracket. 8 in adjustment. For curved panes of glass.



SPK suction pads

Suitable for Paroc-and port elements with a rough surface.



Extender type

Suction pad extender. Suitable to attach loads with various levels.



Pallet fork

Various types for every Smartlift model. Max. load capacity of up to 660, 1,100 or 1,540 lbs.



Cordless remote control - pocket

Available for selected Smartlift models.

## WE INVEST IN STOCK, PARTS, AND SERVICE

New machines keep arriving at our stock and not only in the head office; we invest heavily in local depots around the US, being able to deliver machines when and where needed. Including our dealers, we now have 9 locations allowing us to act fast on a customer demo or a Smartlift purchase; we're never far away.

Spare parts are also stored locally in the US, making sure we can provide the service needed to eliminate downtime. With most parts in stock and usually shipped the same day as requested, and a fast response to service requests, you are secured as a Smartlift customer. With our own Smartlift US Service Manager you always enjoy a fast and professional service.

That's why our saying is "Smartlift - the safe choice"





## **CONTACT US**

8927 & 8929 J Street  
Omaha, NE 68127

Phone: 402-215-8080  
E-mail: [smartliftus@smartlift.com](mailto:smartliftus@smartlift.com)  
Website: [smartlift.com](http://smartlift.com)