

PRODUCTS

INTELLIGENT VACUUM

LIFTING SOLUTION



SMARTLIFT

THE SAFE CHOICE

WORK SMARTER

Having a Smartlift on your team will make you **work faster and safer**. Minimize the risk of injuries from heavy lifting and work up to twice as fast during installation.

In high-rise projects, you will experience **considerable savings** compared to using a large crane outside the building. Simply install from the inside and optimize logistics by placing the glass on each floor during initial construction.

PREFERRED BY PROFESSIONALS

Every component in a Smartlift is carefully selected to ensure maximum **precision, reliability and usability**. This allows for stepless and safe operation of any Smartlift model.

Buying a Smartlift gives you freedom to choose from a variety of factory-installed options. Customize your lift and then add accessories for even greater utilization.

We are experts in vacuum robot technology and we know the value of swift and precise **after-sales support and service**. When you own a Smartlift, we do our best to keep you working without interruption.

Smartlift is designed and produced in Denmark.

WORK SAFER

The Smartlift vision is to eliminate accidents with safe and efficient lifting in a smart way.

That's why Smartlift is considered **the safe choice** among professionals all over the world.

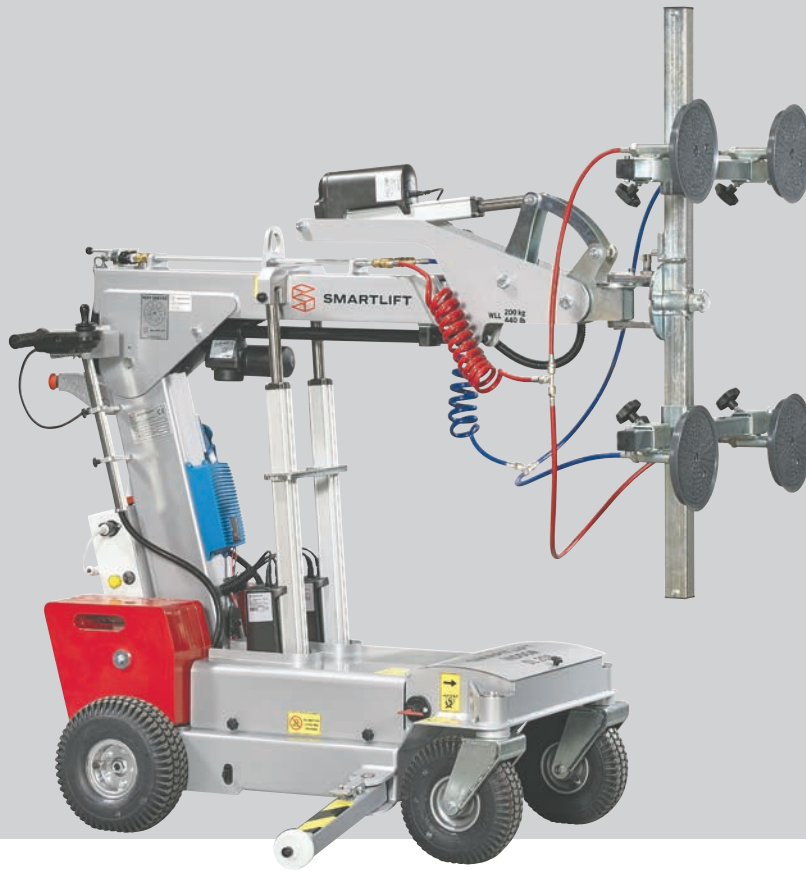
NO EMISSION

Smartlift vacuum lifters are battery operated and have zero emissions.



ZERO EMISSION





HIGHLIGHT

Joystick control: This lift can turn around its own axis using the joystick.



SL 208 INDOOR

LIFTS UP TO 200 KG / 440 LBS

The SL 208 Indoor is our most compact and manoeuvrable lift. Easy to control using a joystick and supported by two powerful 1,200W electric motors making the lift capable of rotating on its own axis.

This glass robot is ideal for indoor installation where space might be limited or in industrial production facilities.



TURNING RADIUS

ONLY 88 CM / 34 IN



LIFTING HEIGHT

UP TO 265 CM / 104 IN



Compact in size and tight turning radius

TECHNICAL SPECIFICATIONS

Lifting cap. arm in/out	200/150 kg - 440/330 lbs
Lifting height	2,650 mm / 104 in
Extension of arm	500 mm / 20 in
Tip from horizontal	54° back / 100° fwd
Side shift	-
Charging voltage	230 V / 110 V
Charging time	Approx. 8 hrs
Battery (2 x 12V)	2 x 70 Ah AGM
Running period	Up to 10 hrs
Rear-wheel drive	2 x 1,200 W DC
Brake	Electro-magnetic
Suction pads	4 x Ø200 mm / 4 x Ø8 in
L x W x H	1670 x 720 x 1280 mm 66 x 28 x 50 in
Curb weight	480 kg / 1,060 lbs



HIGHLIGHT

Steering handle: Most Smartlifts are equipped with an intuitive and ergonomic drive handle.



SL 280 INDOOR

LIFTS UP TO 280 KG / 620 LBS

The SL 280 Indoor is a compact glass robot with more lifting capacity. The unique feature of this lift is the slim frame width of only 620 mm (25 in). This is probably the slimmest indoor glazing robot in the market today and it does not compromise on precision and ease of operation.

The rear wheel drive makes it very maneuverable with a tight turning radius. The puncture proof tires provide a secure grip on most surfaces.



SIDE SHIFT

UP TO 10 CM / 4 IN



LIFTING HEIGHT

UP TO 275 CM / 108 IN



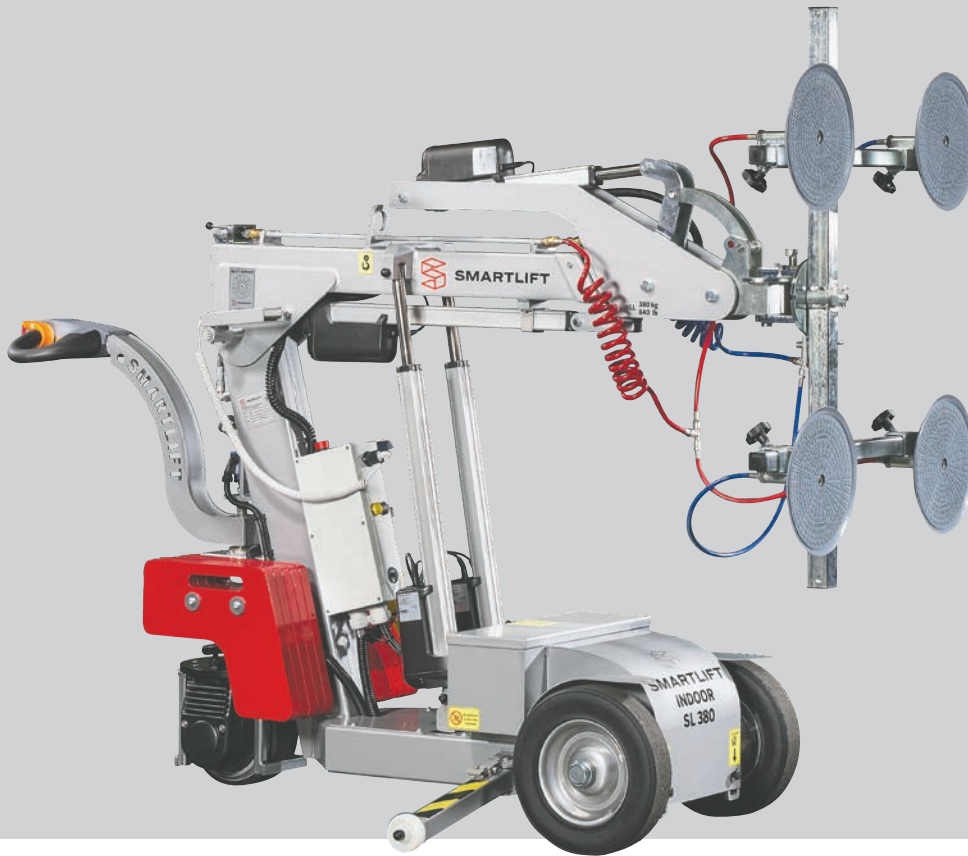
More lifting power in a compact design

TECHNICAL SPECIFICATIONS

Lifting cap. arm in/out	280/160 kg - 620/350 lbs
Lifting height	2,750 mm / 108 in
Extension of arm	500 mm / 20 in
Tip from horizontal	49° back / 104° fwd
Side shift	100 mm / 4 in
Charging voltage	230 V / 110 V
Charging time	Approx. 8 hrs
Battery (2 x 12V)	2 x 62 Ah
Running period	Up to 10 hrs
Rear-wheel drive	700 W DC
Brake	Electro-magnetic
Suction pads	4 x Ø300 mm / 4 x Ø12 in
L x W x H	2170 x 630 x 1330 mm 85 x 25 x 52 in
Curb weight	490 kg / 1,080 lbs

HIGHLIGHT

Remote control: All electric Smartlifts have a wired remote control for adjusting the arm and yoke.



SL 380 INDOOR

LIFTS UP TO 380 KG / 840 LBS

The SL 380 Indoor is a powerful mid-range vacuum lifter for indoor use and it has sideways shifting up to 10 cm (4 in) for higher flexibility during installation.

The rear-wheel drive makes the lift very manoeuvrable in narrow corridors and small spaces. Puncture proof tires provide a secure grip on most surfaces.



SIDE SHIFT

UP TO 10 CM / 4 IN



LIFTING HEIGHT

UP TO 265 CM / 104 IN



The SL 380 Indoor combines lifting power and flexible use indoors

TECHNICAL SPECIFICATIONS

Lifting cap. arm in/out	380/210 kg - 840/460 lbs
Lifting height	2,650 mm / 104 in
Extension of arm	500 mm / 20 in
Tip from horizontal	49° back / 105° fwd
Side shift	100 mm / 4 in
Charging voltage	230 V / 110 V
Charging time	Approx. 8 hrs
Battery (2 x 12V)	2 x 62 Ah
Running period	Up to 10 hrs
Rear-wheel drive	700 W DC
Brake	Electro-magnetic
Suction pads	4 x Ø300 mm / 4 x Ø12 in
L x W x H	2270 x 680 x 1330 mm 89 x 27 x 52 in
Curb weight	530 kg / 1,170 lbs



HIGHLIGHT

Safety first: Any Smartlift has several safety features built in to prevent overload and accidents.



SL 580 INDOOR

LIFTS UP TO 580 KG / 1,280 LBS

Do not under estimate this heavy-duty vacuum lifter. The SL 580 Indoor is excellent for handling the heaviest windowpanes, fire doors and sheets of glass without compromising on precision and ease of use.

A slim body width and the rear-wheel drive make it very maneuverable inside buildings or on the factory floor. The puncture proof tires provide a secure grip on most surfaces.



SIDE SHIFT

UP TO 10 CM / 4 IN



LIFTING HEIGHT

UP TO 240 CM / 94 IN

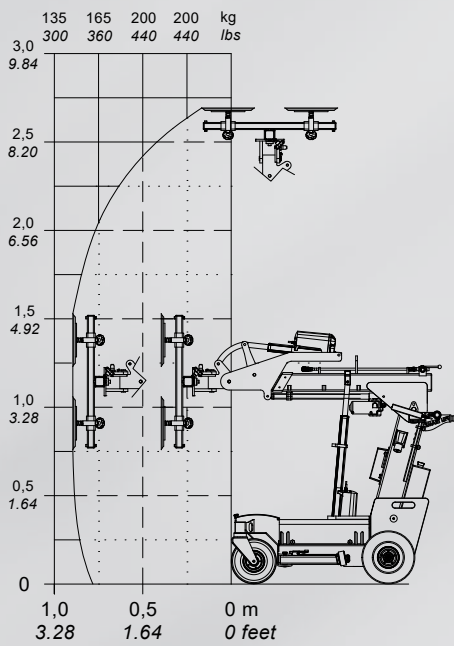


Our most powerful lift for indoor use

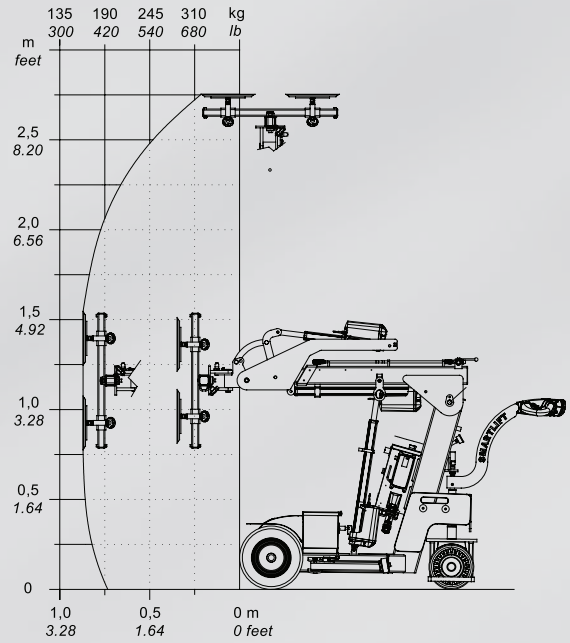
TECHNICAL SPECIFICATIONS

Lifting capacity arm in/out	580 / 280 kg - 1,280 / 620 lbs
Lifting height	2,400 mm / 94 in
Extension of arm	500 mm / 20 in
Tip from horizontal	43° back / 105° fwd
Side shift	100 mm / 4 in
Charging voltage	230 V / 110 V
Charging time	Approx. 8 hrs
Running period	Up to 10 hrs
Battery (2 x 12V)	2 x 80 Ah
Rear wheel drive	1000 W DC
Brake	Electro-magnetic
Suction pads	4 x Ø400 mm / 4 x Ø16 in
L x W x H	2390 x 780 x 1390 mm 94 x 31 x 55 in
Curb weight	690 kg / 1,520 lbs

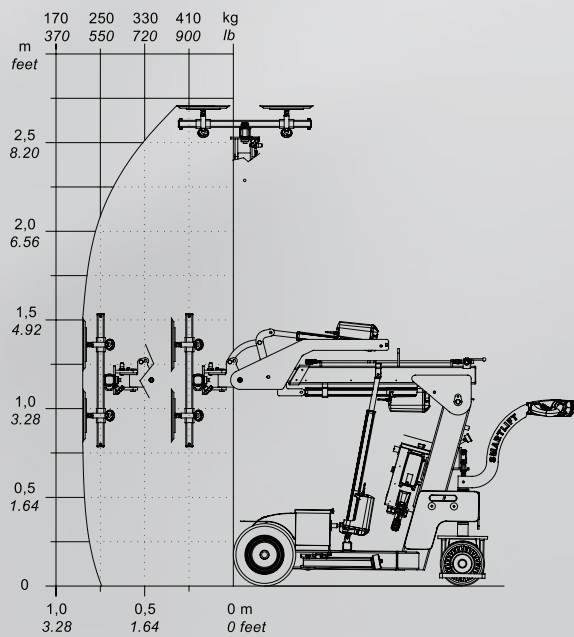
SL 208 INDOOR



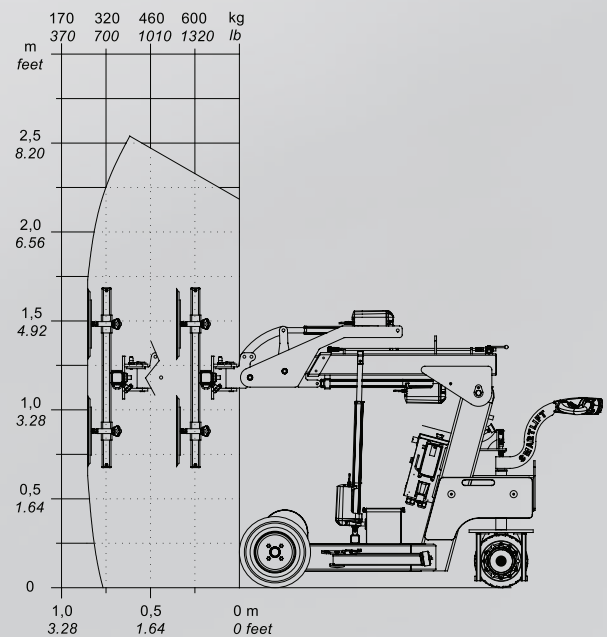
SL 280 INDOOR



SL 380 INDOOR



SL 580 INDOOR

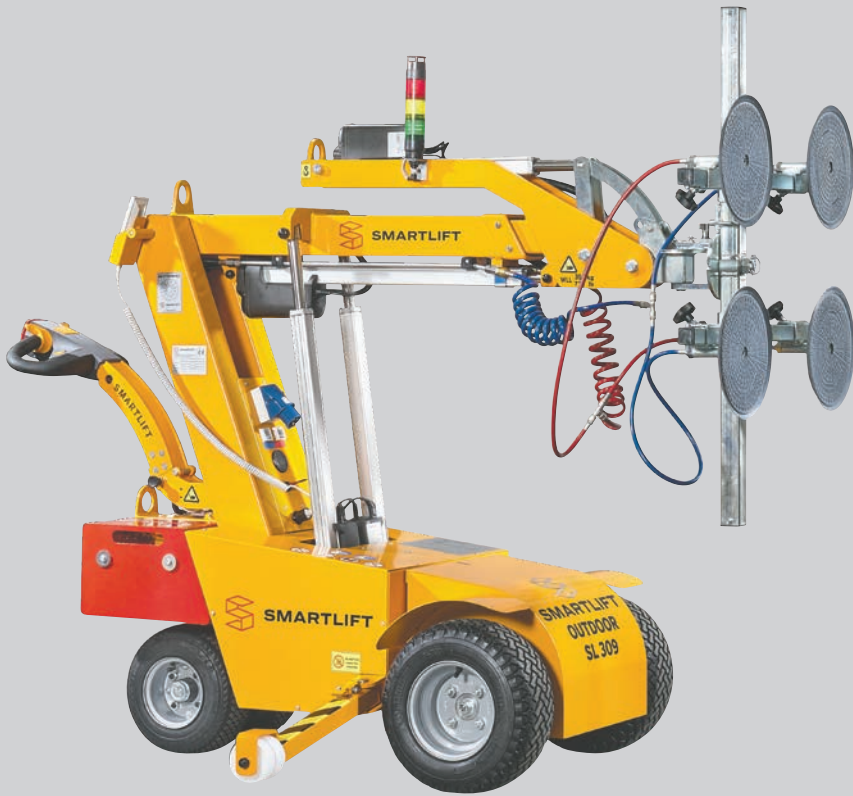


SL 309 OUTDOOR



SL 1009 OUTDOOR





HIGHLIGHT

1. Foldable handle:
It is easy to fold the steering handle during transport.

2. Max. compaction:
Remove the vacuum yoke and retract the arm.




SL 309 OUTDOOR

LIFTS UP TO 350 KG / 770 LBS

The Smartlift SL 309 Outdoor glazing robot is the latest addition to the Smartlift product line, featuring a powerful combination of size versus capacity. This impressive machine can lift up to 350 kg, with a lifting height of up to 3.07 meters, making it perfect for outdoor glazing projects of various sizes. What's more, the SL 309 can be compacted to only 1.435 meter / 57 in length and 1.41 meter / 56 in height, allowing it to easily fit into a standard construction hoist for effortless transport. The SL 309's small turning radius of only 90 cm / 35 in makes it easy to maneuver in tight spaces, making it an ideal choice for any outdoor and indoor glazing project.

TECHNICAL SPECIFICATIONS

Lifting capacity arm in/out	350 / 170 kg - 770 / 370 lbs
Lifting height	3,070 mm / 121 in
Extension of arm	600 mm / 24 in
Tip from horizontal	35° back / 135° fwd
Side shift	100 mm / 4 in
Charging voltage	230 V / 110 V
Charging time	Approx. 10 hrs
Running period	Up to 10 hrs
Front wheel drive	1500 W DC
Suction pads	4 x Ø300 mm / 4 x Ø12 in
L x W x H	1690 x 820 x 1410 mm 67 x 32 x 56 in
Curb weight	620 kg / 1,370 lbs



LIFTING HEIGHT
UP TO 307 CM / 121 IN



TURNING RADIUS
ONLY 90 CM / 35 IN



Easily navigates tight spaces and fits into small construction hoists. An impressive combi of size and capacity.

SL 408 / 409 OUTDOOR





HIGHLIGHT

Electric rotating yoke:
Stepless 3D movement of the arm and yoke.

Models:
Outdoor
High Lifter (HL)
High Lifter Electric (HLE)
High Lifter Electric RT (HLE RT)

SL 409 OUTDOOR

LIFTS UP TO 430 KG / 950 LBS

The SL 409 is efficient and hard working. It saves you the cost of extra hands for mounting of elements like glass, windows, granite, marble. The compact and ruggedized design gets the job done. You get:

- Remote controlled vacuum system
- Speedy tilting
- Save position for repeated mounting
- X/Y movement; the straight movement is easy to control and prevents damages from accidentally bumping into something
- Theft protection, geofencing and remote diagnostics with the built-in Trackunit IoT device
- Enhanced safety features



EXTENSION OF ARM
UP TO 120 CM / 48 IN



LIFTING HEIGHT
UP TO 365 CM / 144 IN

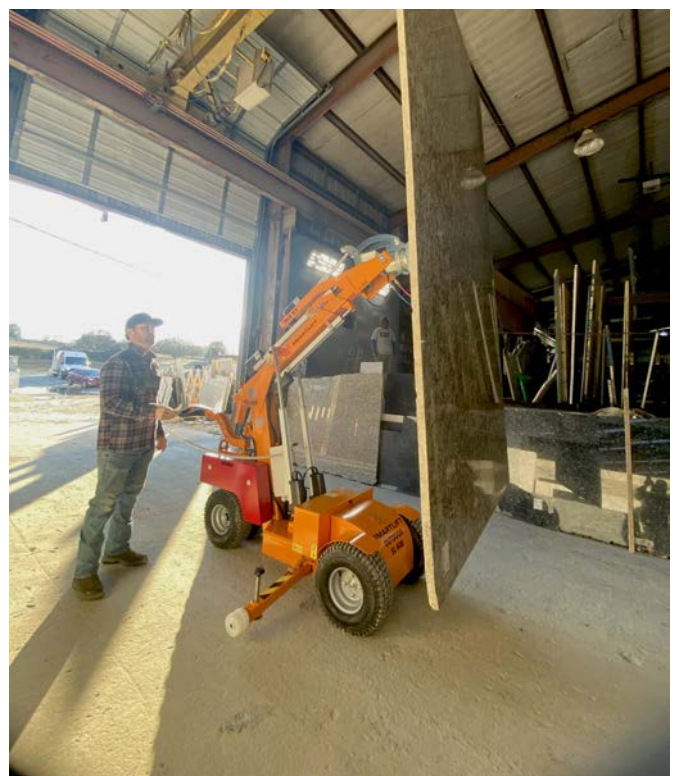


Choose the High Lifter version for additional reach and lifting height

TECHNICAL SPECIFICATIONS

Model	SL 409 Outdoor	SL 409 Outdoor HL	SL 409 Outdoor HLE	SL 409 Outdoor HLE RT
Lifting cap. arm in/out	430 / 200 kg - 950/440 lbs	430 / 100 kg - 950/220 lbs	430 / 100 kg - 950 / 220 lbs	430 / 100 kg - 950 / 220 lbs
Lifting height	3.100 mm / 122 in	3.650 mm / 144 in	3,650 mm / 144 in	3,650 mm / 144 in
Extension of arm	600 mm / 24 in	600+600 mm / 24+24 in	600+600 mm / 24+24 in	600+600 mm / 24+24 in
Tip from horizontal	53° back/131° fwd	53° back/131° fwd	53° back/131° fwd	35° back/106° fwd
Side shift	100 mm / 4 in	100 mm / 4 in	100 mm / 4 in	100 mm / 4 in
Charging voltage	230 V / 110 V	230 V / 110 V	230 V / 110 V	230 V / 110 V
Charging time	Approx. 10 hrs	Approx. 10 hrs	Approx. 10 hrs	Approx. 10 hrs
Running period	Up to 10 hrs	Up to 10 hrs	Up to 10 hrs	Up to 10 hrs
Front-wheel drive	1500 W AC	1500 W AC	1500 W AC	1500 W AC
Suction pads	4 x Ø 300 mm / 4 x Ø12 in	4 x Ø 300 mm / 4 x Ø12 in	4 x Ø 300 mm / 4 x Ø12 in	4 x Ø 300 mm / 4 x Ø12 in
L x W x H	2500x820x1390 mm 98 x 32 x 55 in	2600x820x1400 mm 102 x 32 x 55 in	2590x820x1430 mm 102 x 32 x 56 in	2590x820x1430 mm 102 x 32 x 56 in
Curb weight	700 kg / 1,540 lbs	710 kg / 1,570 lbs	720 kg / 1590 lbs	730 kg / 1610 lbs

SL 608 / 609 OUTDOOR





HIGHLIGHT

- 1. Cordless remote:** With extra functions for simple and precise mounting.
- 2. Electric rotating yoke:** Stepless 3D movement of the arm and yoke.



Models:
 High Lifter (HL)
 High Lifter Electric (HLE)
 High Lifter Electric RT (HLE RT)

SL 609 OUTDOOR

LIFTS UP TO 600 KG / 1,325 LBS

The SL 609 Outdoor features a long range of new and improved functionalities; designed for maximum efficiency, user-friendliness and workplace security:

- A straight up-down movement; not in a curve, but a precise and straight movement saving time and ensuring quick mounting
- Remote controlled vacuum system
- Faster operation with increased speed for lifting and tilting
- Save and reload position for repeated mounting
- Built in IoT device for theft protection, tracking & fleet management; the Trackunit data insights support better and faster technical assistance from Smartlift via remote diagnostics



EXTENSION OF ARM
UP TO 160 CM / 62 IN



LIFTING HEIGHT
UP TO 425 CM / 167 IN



Customize the lift to fit your exact needs by selecting from the options list below

TECHNICAL SPECIFICATIONS

Model	SL 609 Outdoor HL	SL 609 Outdoor HLE	SL 609 Outdoor HLE RT
Lifting cap. arm in/out	600/170 kg - 1320/ 370 lbs	600/170 kg - 1320/ 370 lbs	600 / 150 kg - 1,320 / 330 lbs
Lifting height	4.150 mm / 163 in	4.150 mm / 163 in	4,250 mm / 167 in
Extension of arm	700+900 mm / 27+35 in	700+900 mm / 27+35 in	700+900 mm / 27+35 in
Tip from horizontal	36° back / 114° fwd	36° back / 114° fwd	32° back / 83° fwd
Side shift	100 mm / 4 in	100 mm / 4 in	100 mm / 4 in
Charging voltage	230 V / 110 V	230 V / 110 V	230 V / 110 V
Charging time	Approx. 10 hrs	Approx. 10 hrs	Approx. 10 hrs
Running period	Up to 10 hrs	Up to 10 hrs	Up to 10 hrs
Front-wheel drive	1500 W AC	1500 W AC	1500 W AC
Suction pads	4 x Ø400 mm / 4 x Ø16 in	4 x Ø400 mm / 4 x Ø16 in	4 x Ø400 mm / 4 x Ø16 in
L x W x H	2790x830x1510 mm 110 x 33 x 59 in	2790x830x1540 mm 110 x 33 x 61 in	2900x830x1540 mm 114 x 33 x 61 in
Curb weight	930 kg / 2050 lbs	940 kg / 2070 lbs	950 kg / 2,090 lbs



HIGHLIGHT

1. Rotating yoke:
Stepless 3D movement of the yoke and load.

2. Information display:
Monitor battery status, vacuum pressure, and load strain on the wireless remote control.




SL 1009 OUTDOOR

LIFTS UP TO 1,000 KG / 2,200 LBS




The SL 1009 Outdoor is our most advanced lift. It combines maximum lifting power and reach. Large window sections are easily and precisely handled using the multifunctional, rotary yoke. SL 1009 has integrated IoT, and you can now locate and track your machine on an App and can follow operational hours, mandatory services checks and many more options. SL 1009 is now controlled by need meaning that the entire system is using less energy.

Some advantages of CANbus and Trackunit:

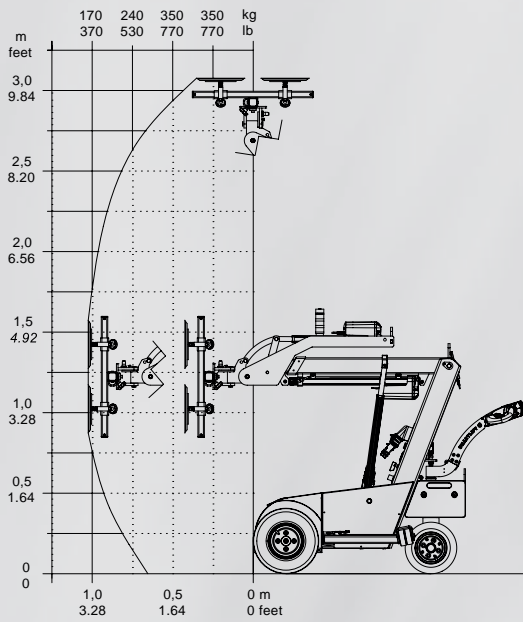
1. Vacuum release remotely controlled (Improved safety)
2. Improved battery life time +2 hours
3. Remote Diagnostics via Trackunit
4. Extreme precision

TECHNICAL SPECIFICATIONS

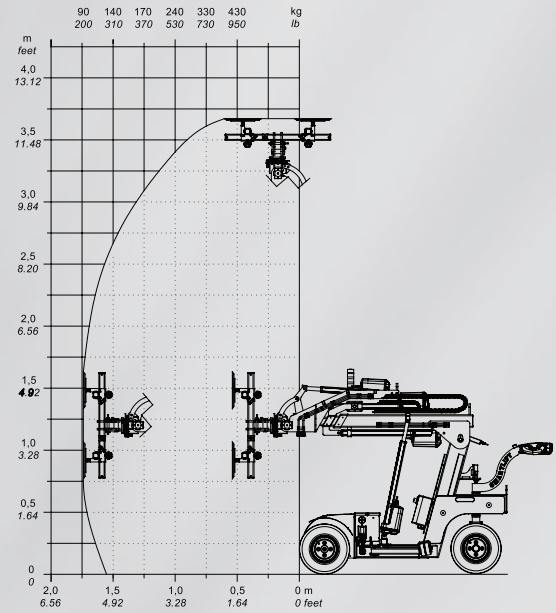
Lifting cap. arm in/out	1,000 / 280 kg - 2,200 / 620 lbs
Lifting height	4,650 mm / 183 in
Extension of arm	2 x 830 mm / 2 x 33 in
Tip from horizontal	44° back / 80° fwd
Side shift	100 mm / 4 in
Charging voltage	230 V / 110 V
Charging time	Approx. 8 hrs
Battery	4 x 134 Ah AGM
Running period	Up to 10 hrs
Front-wheel drive	2500 W AC
Suction pads	6 x Ø400 mm / Ø16 in
L x W x H	3320 x 1020 x 1570 mm 131 x 40 x 62 in
Curb weight	1,480 kg / 3,260 lbs

-  EXTENSION OF ARM
UP TO 166 CM / 66 IN
-  LIFTING HEIGHT
UP TO 465 CM / 183 IN
-  CONTROLLED BY CANBUS-FREE TRACKUNIT INCLUDED FOR 3 YEARS

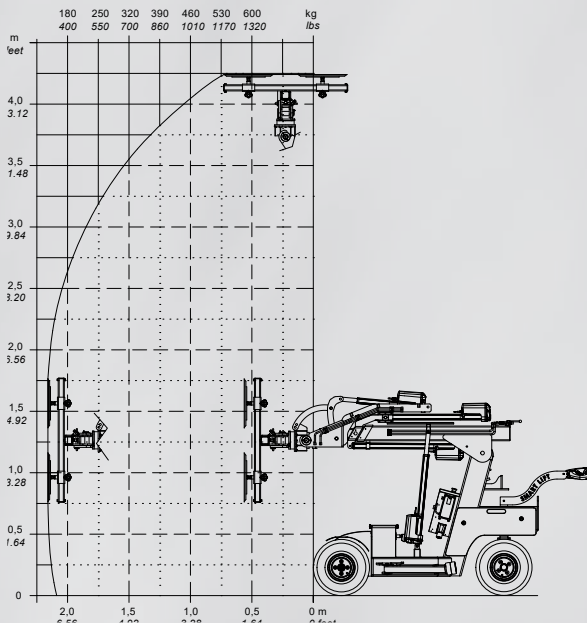
SL 309 OUTDOOR



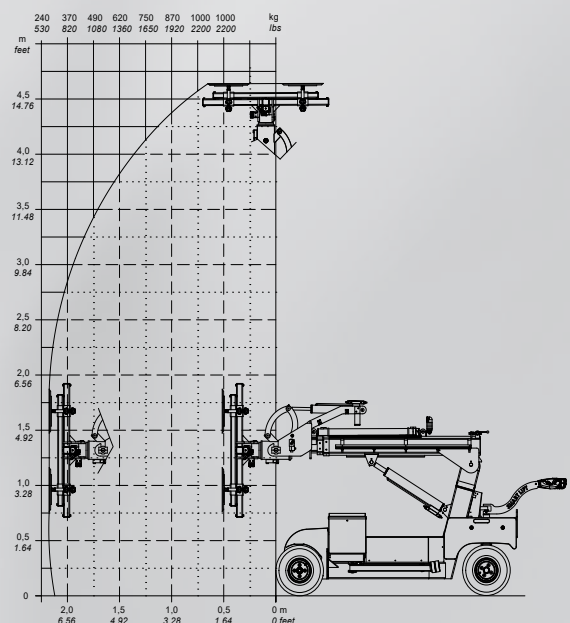
SL 409 OUTDOOR (HIGH LIFTER ELECTRIC RT)



SL 609 OUTDOOR (HIGH LIFTER ELECTRIC RT)



SL 1009 OUTDOOR





ST 1300 TROLLEY

LIFTS UP TO 1,300 KG / 2,866 LBS

A rugged and self-propelled transport trolley for plasterboards and other building materials. The Smart Trolley has an electric lifter which extends up to 90 cm above ground level. Therefore it can be used as a flexible working bench at the construction site for better ergonomics. The trolley also has two side pockets for being lifted by a forklift between the floors of a building

- Self-propelled forward/reverse
- Quality bearings
- Independent wheels
- Puncture-proof tires
- Indicator for low voltage
- IP65 classified dust and moisture proof

TECHNICAL SPECIFICATIONS

WWL / rated load	1,300 kg / 2,866 lbs
Floor dimensions	1880 x 700 mm / 2,680 x 700 mm 74 x 28 in / 106 x 28 in
Floor height	600 - 900 mm / 23 - 35 in
Total length	2,850 mm / 112 in
Wheel base	1,438 mm / 57 in
Extension - handlebar	220 mm / 9 in
Ground clearance	135 mm / 5 in
Raise / lower floor	10 sec
Driving speeds	Floor raised = 1 kmh / 0,6 mph Floor lowered = 5 kmh / 3,1 mph
Operation time	Approx. 8 hrs
Turning radius	3,1 m / 10 ft. 2 in
Charger with indicator	Integrated 110V / 230V
Curb weight	450 kg / 1000 lbs



LIFTING CAPACITY
1300 KG / 2866 LBS



LIFTING HEIGHT
90 CM / 35 IN



ST 1300 Trolley comes with steering handle making it easy to operate.



SL 400 SKY LIFTER RT

LIFTS UP TO 400 KG / 880 LBS

The SL 400 Sky Lifter RT is a light and independent electric manipulator which can be mounted on any telescopic loader, crane etc.

Attach the SL 400 Sky Lifter RT on to a telescopic loader using the quick release adaptor. This solution is ideal for buildings where installation is under overhangs or at oblique angles. The Sky Lifter can rotate 350 degrees without stop using the attached turning head. The rotation is a great advantage during the window installation, because it gives great flexibility.

The SL 400 Sky Lifter RT has a wireless radio control unit. Therefore, the operator can position himself close by the window to have a detailed overview of the installation process.

TECHNICAL SPECIFICATIONS

Lifting cap. arm in/out	400 kg / 880 lbs
Lifting height	Depends on parent
Extension of arm	385 mm / 15 in
Tip from horizontal	Depends on parent
Side shift	200 + 300 mm / 8 + 12 in
Charging voltage	230 V / 110V
Charging time	Approx. 4 hrs
Battery	24V, 20Ah Li-Ion
Running period	Up to 8 hrs
Suction pads	4 x Ø300 mm / 4 x Ø12 in
Curb weight	360 kg / 795 lbs



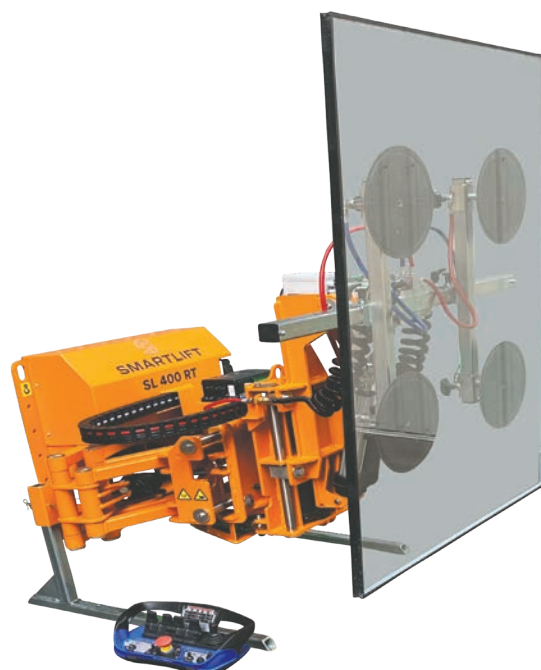
EXTENSION OF ARM
UP TO 385 MM / 15 IN



LIFTING CAPACITY
400 KG / 880 LBS



Can be fitted on a telescopic loader for maximum reach



OPTIONS

■ Select the options you need

Build your Smartlift from the factory

	SL 208 Indoor	SL 280 Indoor	SL 380 Indoor	SL 580 Indoor	SL 309 Outdoor	SL 409 Outdoor	SL 609 Outdoor	SL 1009 Outdoor
Foam-filled tyres	NA	NA	NA	NA	Standard	Standard	Standard	Standard
Electric key switch	■	■	■	■	NA	■	■	■
White, non-marking tyres	■	■	■	■	■	■	■	NA
Special Color	■	■	■	■	■	■	■	■
Cordless remote	■	■	■	■	■	■	■	Standard
Manual extension of the arm	NA	NA	■	NA	NA	■	■	NA
Electrical extension of the arm	NA	NA	NA	NA	Standard	■	■	Hydraulic
Electrical rotating yoke	NA	NA	NA	NA	NA	■	■	Hydraulic

SELECTED ACCESSORIES

There is a wide range of accessories available for your Smartlift. For more information, call your local dealer or go to our website.



Transport ramp

Aluminium ramps in various sizes for use indoors or outdoors.



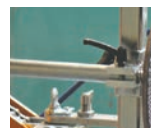
Flexolink

Flexible connectors for curved glass. For suction pad up to Ø300mm - up to 12° curve.



Protection cover

Prolong the lifetime of the suction pads.



Suction pad bracket flex

Adjustable bracket with 200 mm adjustment for suction pads.



Lifting hooks

Strong lifting hook with a max. load capacity of up to 400, 600 or 800 kg.



Double suction pad bracket flex

Adjustable double bracket. 200 mm adjustment. For curved panes of glass.



SPK suction pads

Suitable for Paroc-and port elements with a rough surface.



Extender type

Suction pad extender. Suitable to attach loads with various levels.



Pallet fork

Various types for every Smartlift model. Max. load capacity of up to 300, 500 or 700 kg.



Cordless remote control - pocket

Available for selected Smartlift models.

”

With a Smartlift, the ergonomics are fantastic. I work every day between 06:00 and 19:00, and even after a long working day I don't feel any pain in my body, because the Smartlift handles all the heavy lifts during the window installation.

– Martin Vestergaard, carpenter.



The carpentry company DN Tømmer A/S uses two SL 208 Indoor Smartlifts for window installation on the ambitious urban development project Frederiksbro Stage 2. This is a completely new district in the city Hillerød with 1,300 homes and is one of the biggest housing projects in Denmark.



N.A. Christensensvej 39
7900 Nykøbing Mors
Denmark

P +45 9772 2911
E smart@smartlift.com
W www.smartlift.com