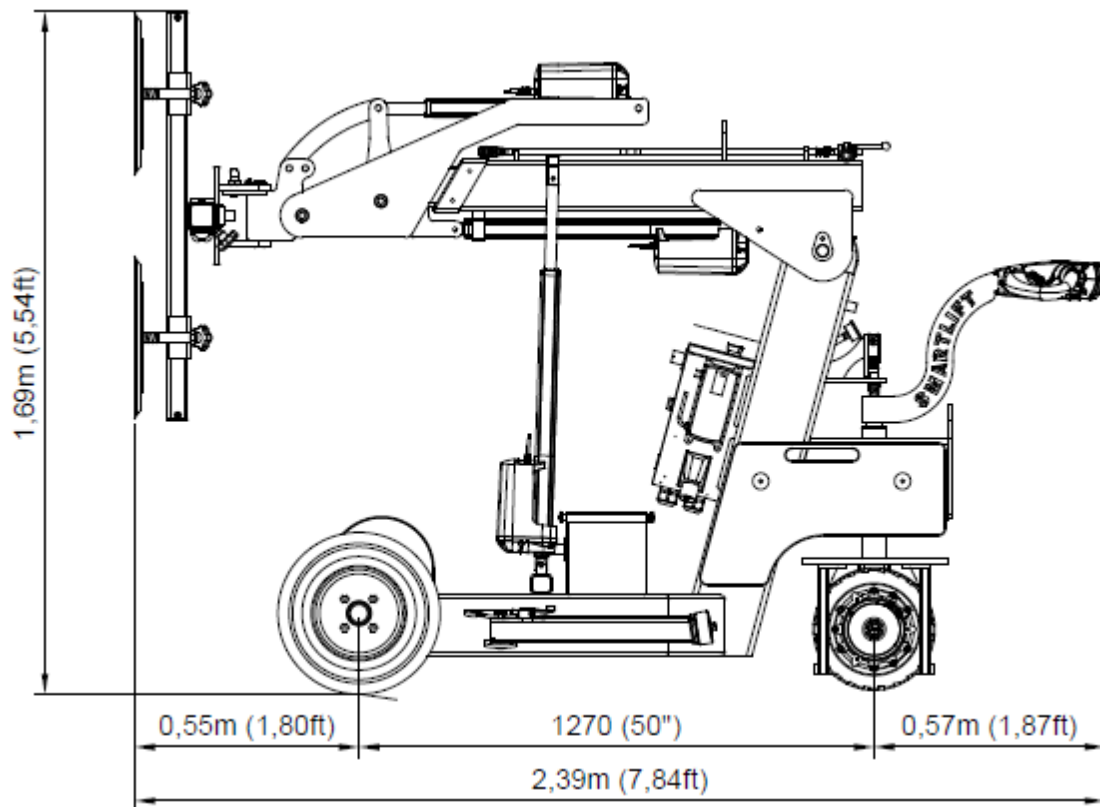
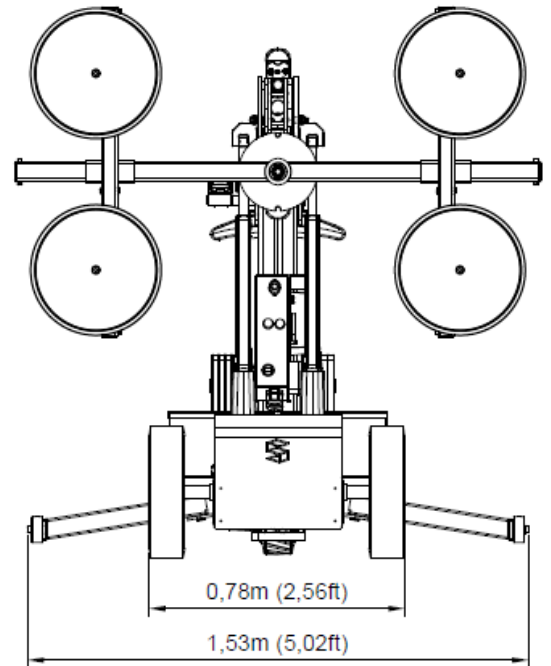


## SL 580 INDOOR

### Technical specifications

Lifting cap. arm in/out	580/280kg - 1280/620lb
Lifting height	2,40m / 7,87ft
Extension of arm	500mm / 1,64ft
Tilt	43° back / 105° fwd
Side shift	100mm / 4in
Charging voltage	230V / 110V
Charging time	Approx. 8 hrs
Running period	Up to 10 hrs
Rear wheel drive	1000W
Width	0,78m / 2,56ft
Suction pads	4 x Ø400mm / 4 x Ø16in
Curb weight	690kg / 1520lb



# Load chart

