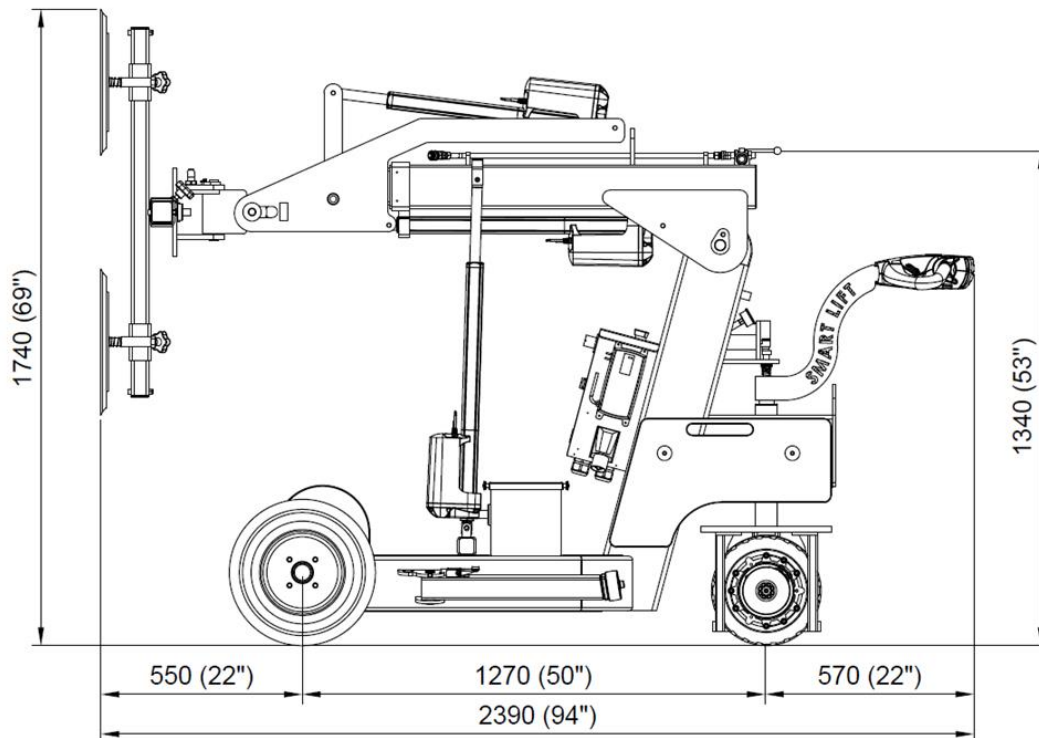
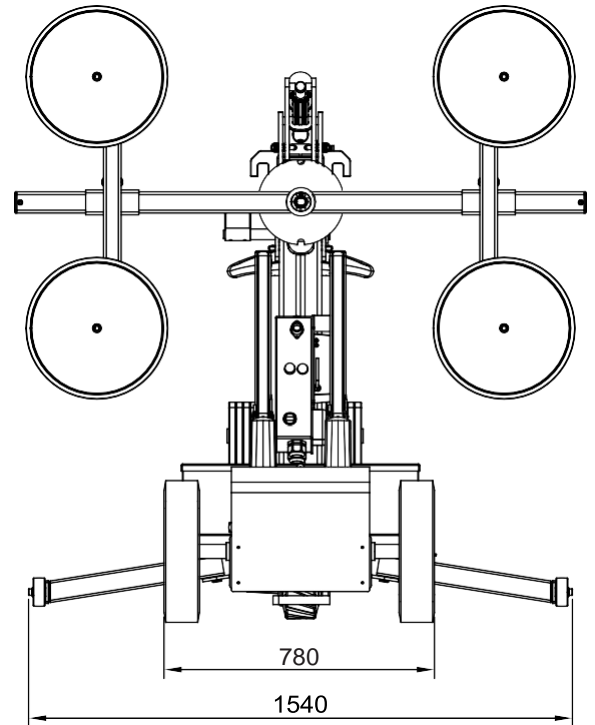


SL 580 INDOOR

Technical specifications

Lifting cap. arm in/out	580/280kg - 1280/620lb
Lifting height	2400mm / 94in
Extension of arm	500mm / 20in
Tilt	43° back / 105° fwd
Side shift	100mm / 4in
Charging voltage	230V / 110V
Charging time	Approx. 8 hrs
Running period	Up to 10 hrs
Rear wheel drive	1000 W DC
Width	780mm / 31 in
Suction pads	4 x Ø400mm / 4 x Ø16in
Curb weight	690kg / 1520 lb



Load chart

