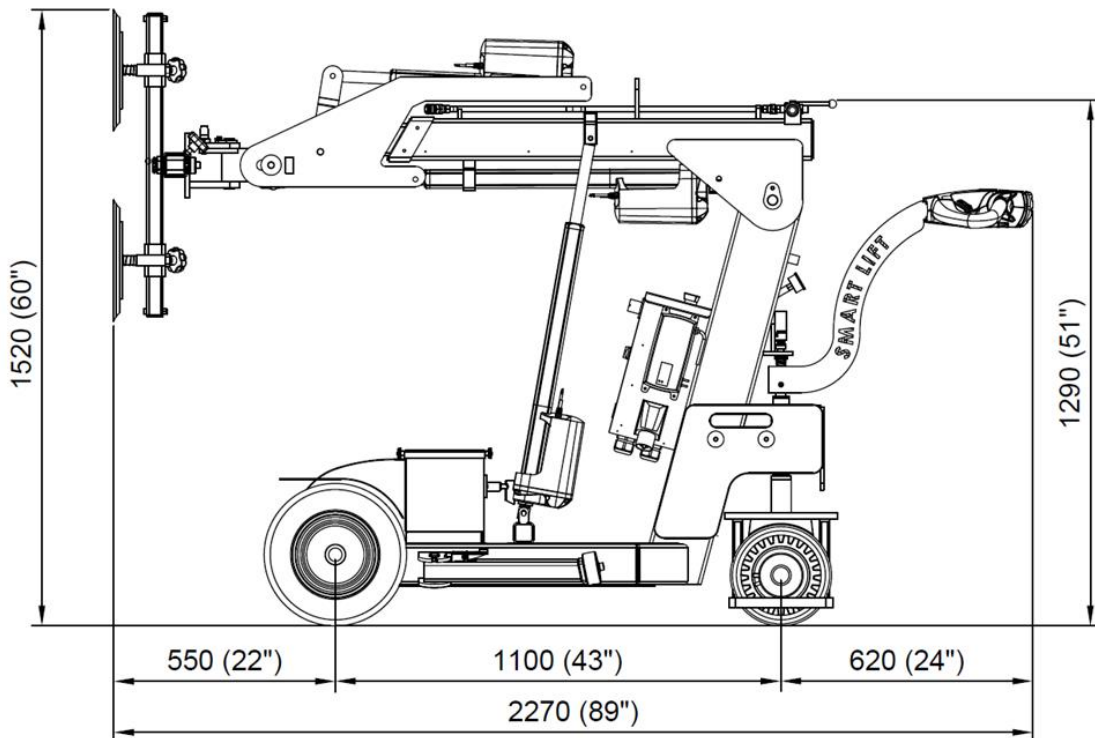
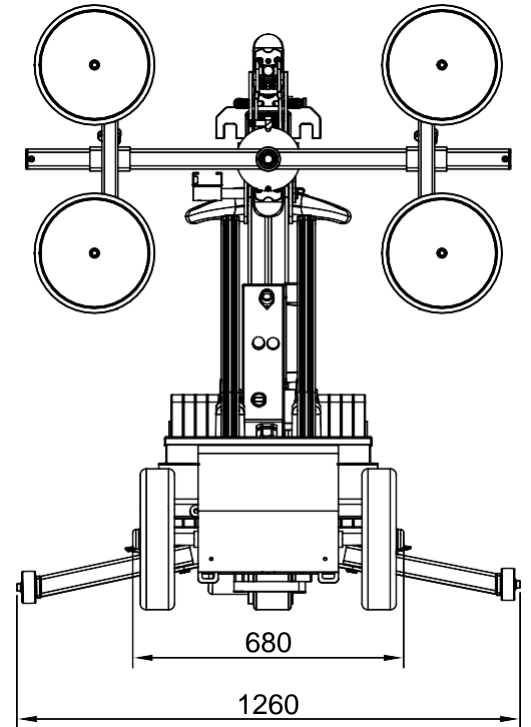


SL 380 INDOOR

Technical specifications

Lifting cap. arm in/out	380/210kg - 840/460lb
Lifting height	2650mm / 104in
Extension of arm	500mm / 20in
Tilt	49° back / 104° fwd
Side shift	100mm / 4in
Charging voltage	230V / 110V
Charging time	Approx. 8 hrs
Running period	Up to 10 hrs
Rear-wheel drive	700W
Width	680mm / 27in
Suction pads	4 x Ø300mm / 4 x Ø12in
Curb weight	530kg / 1170lb



Load chart

