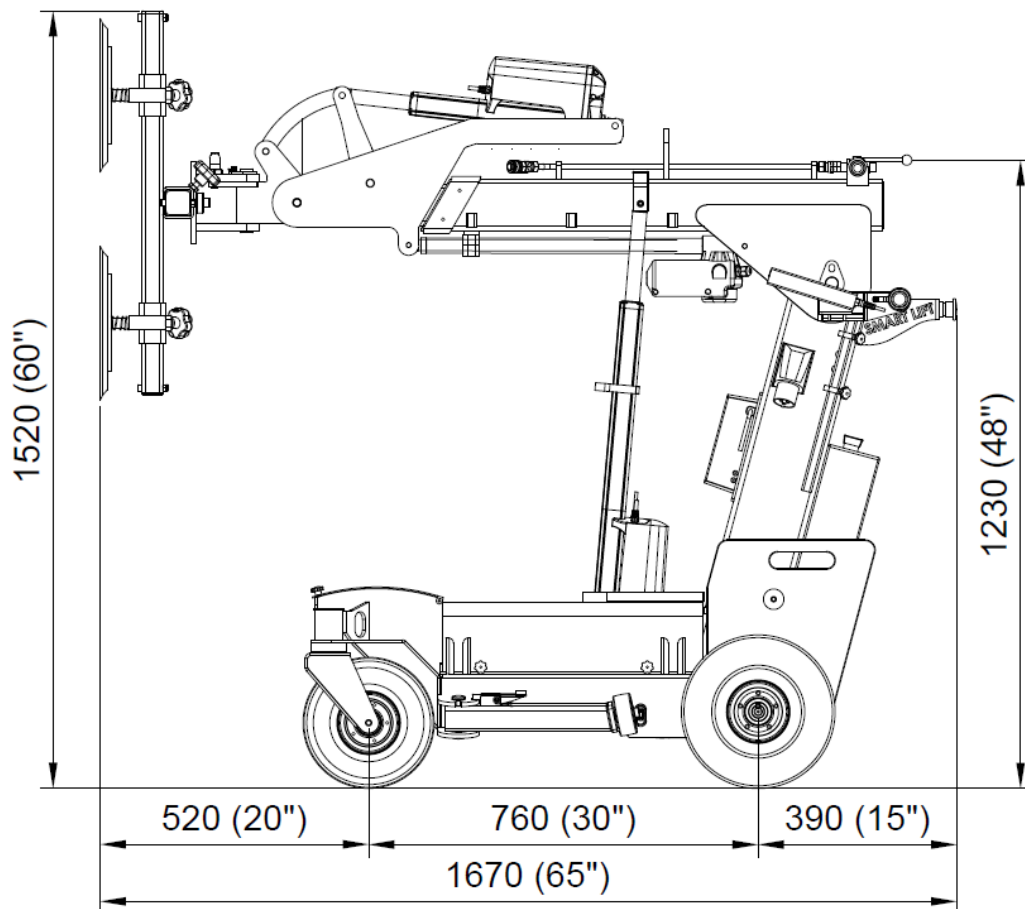
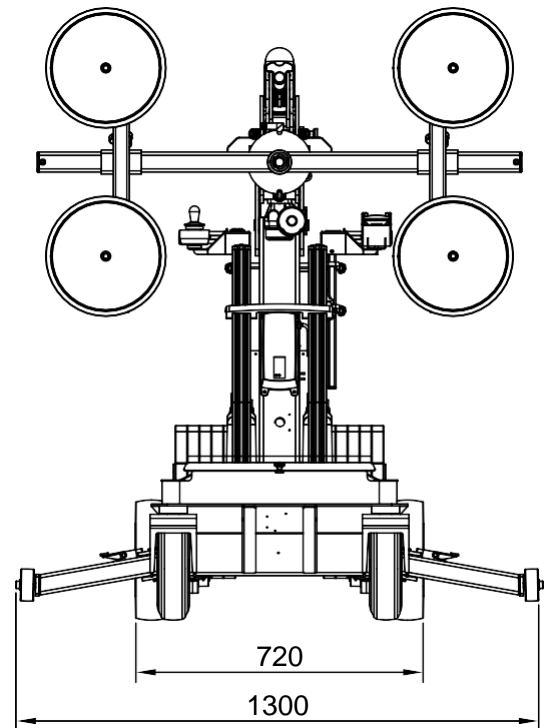


SL 208 INDOOR

Technical specifications

Lifting cap. arm in/out	200/150 kg - 440/330 lb
Lifting height	2650mm / 104in
Extension of arm	500mm / 20in
Tilt	54° back / 100° fwd
Side shift	-
Charging voltage	230 V / 110V
Charging time	Approx. 8 hrs
Running period	Up to 10 hrs
Rear-wheel drive	2 x 1200W
Width	720mm / 28in
Suction pads	4 x Ø200mm / 4 x Ø10in
Curb weight	480kg / 1060lb



Load chart

